

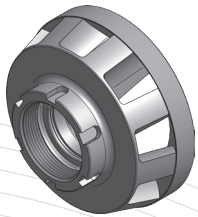
Included Accessories

A725.095.145

Tornado

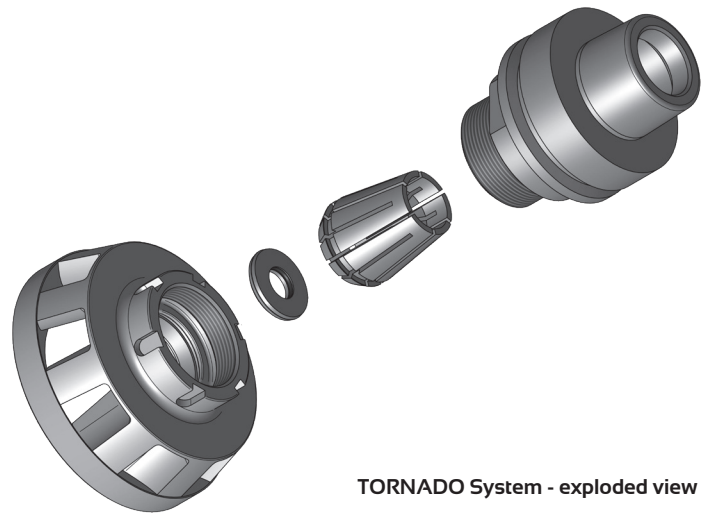
Safety Seal Ring

Clamping Key



1 pc. Measure to be defined by customer

Ref. 706.702



TORNADO System - exploded view

Additional Accessories

Collet Chucks

S	D	A	dI	DI	Ref.
SCM, Morbidelli					
ISO 30	50	55	6-20	ER32	A428.550.155.65
IMA, Maka, Reichenbacher, Biesse, Alberti, Stegherr, etc.					
SK30	50	50	6-20	ER32 50	A428.150.150.65
Alberti					
SK30	50	50	6-20	ER32 50	A428.450.150.65
Biesse until 9/92					
SK30	50	50	6-20	ER32 50	A428.250.150.65
Biesse after 9/92 (motor HSD)					
SK30	50	50	6-20	ER32 50	A428.350.150.65
CMS, Biesse					
ISO30	50	50	6-20	ER32 46	A428.146.150.65
Esseteam (motor Elte), Stemm					
SK30	50	60	6-20	ER32 58	A428.058.050.65
Masterwood until 1/ 99 (motor HSD)					
SK30	50	50	6-20	ER32 50	A428.350.150.65
HSK					
HSK63F	50	70	6-20	ER32	A435.060.170.60
CMS					
HSK63E	50	65	6-20	ER32	A435.050.265.60
Alberti					
HSK 50E/40	50	60	6-20	ER32	A435.050.360.60

Safety Seal Ring

Ref.	Ø d (mm)	Ø D (mm)
709.813.06	6	27
709.813.08	8	27
709.813.10	10	27
709.813.12	12	27
709.813.87	12.7	27
709.813.16	16	27
709.813.18	18	27
709.813.20	20	27

Collet

dI	D	L1	Ref.
ER32			
3	33	40	A429.000.140.03
4	33	40	A429.000.140.04
5	33	40	A429.000.140.05
6	33	40	A429.000.140.06
7 (6,35)	33	40	A429.000.140.07
8	33	40	A429.000.140.08
10	33	40	A429.000.140.10
12	33	40	A429.000.140.12
13 (12,7)	33	40	A429.000.140.13
14	33	40	A429.000.140.14
16	33	40	A429.000.140.16
18	33	40	A429.000.140.18
20	33	40	A429.000.140.20